


Special Features

- Dry or liquid filled
- Cost effective
- Standard followed in general EN 837-1

Application

- Pneumatics
- Hydraulics
- Pumps
- Compressors
- Diesel engines and gaseous / liquid media that will not obstruct the pressure system.

Specifications
Standard Version : 100 mm & 150 mm

Accuracy	:	±1.0% of F. S.
Ambient temperature	:	- 20°C to + 65°C
Process temperature	:	Max. 150°C
Operating Pressure Range	:	75% of Scale Value
Over pressure limit	:	≤ 100 bar : 125% of Max. Scale Value
	:	> 100 to ≤ 600 bar : 115% of Max. Scale Value

Case & Bezel	:	AISI 304 SS (Bayonet Type)
Bourdon	:	Copper Alloy upto 70 kg/cm ²
	:	AISI 316L SS for 100 kg/cm ² & above
Socket	:	Copper Alloy
Movement	:	Copper Alloy
Joints	:	Alloy Brazing / Soldering

Protection	:	IP 65
Dial	:	Aluminum, black graduation on white background
Pointer	:	Aluminum, black coloured Fixed
Window	:	Plexi Glass
Filling Plug	:	Neoprene
Gasket	:	Neoprene
Blow off Disc	:	Neoprene

Dry but fillable version (option FG)

Fillable Dampening Liquid	:	Glycerine 99.7%
Ambient Temperature	:	Maximum 65°C
Process Temperature	:	Maximum 65°C
Other Features	:	Refer Specification of Standard Version

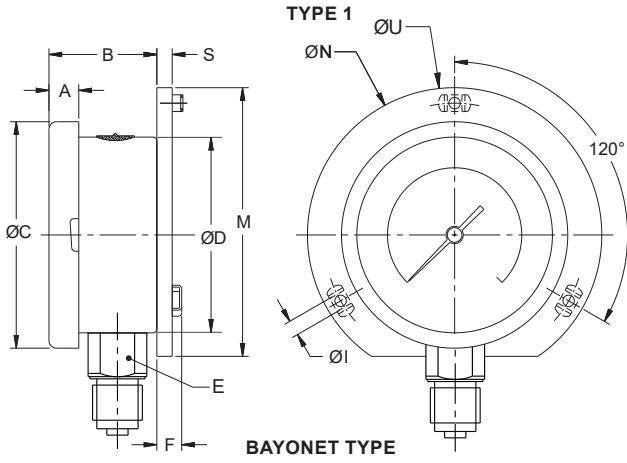
Glycerine filled version (option PY)

Accuracy	:	±1.6% of F. S.
Ambient Temperature	:	Maximum 65°C
Process Temperature	:	Maximum 65°C
Window	:	Plexi Glass
Dampening Liquids	:	Glycerine 99.7% (others available as option)
Other Features	:	Refer Specification of Standard Version

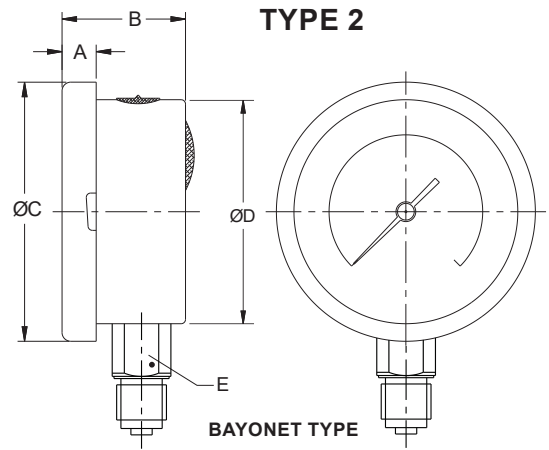
Temperature effect:

The variation of indication caused by effects of temperature is to be calculated by below formula; which is to be added in the specified accuracy while measurement :- Formula : ± 0.04 x (t2 - t1) % of F. S. where t1 = reference temperature (+20°C) and t2 = ambient temperature in °C.

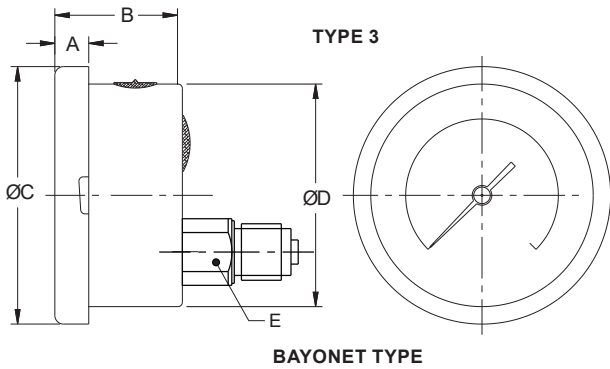
Dimensions - Standard Version



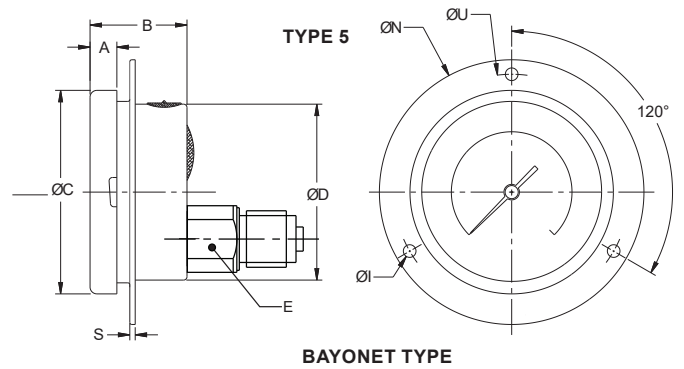
NS	A	B	ØC	ØD	E	M	S	F	ØI	ØN	ØU	Weight in gram (With Box)
100	12.5	45	111	100	22	128	6	14.5	6	134	118	700.0
150	15	46.5	161	149	22	174.5	6	14.5	6	186	168	1140.0



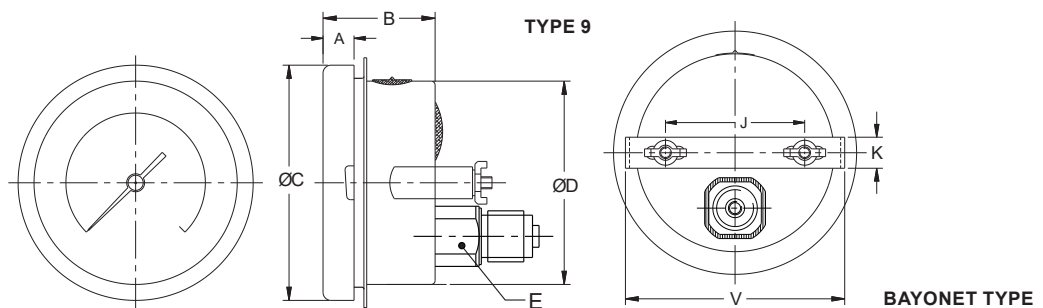
NS	A	B	ØC	ØD	E	Weight in gram (With Box)
100	12.5	47	111	100	22	620.0
150	15	49	161	149	22	980.0



NS	A	B	ØC	ØD	E	Weight in gram (With Box)
100	12.5	47	111	100	22	625.0
150	15	49	161	149	22	970.0



NS	A	B	ØC	ØD	E	S	ØI	ØN	ØU	Weight in gram (With Box)
100	12.5	47	111	100	22	1	6	134	118	710.0
150	15	49	161	149	22	1	6	186	168	116.0



NS	A	B	ØD	ØC	E	J	K	V	Weight in gram (With Box)
100	12.5	47	111	100	22	71	16	108	750.0
150	15	49	161	161	22	106.5	16	166	1220.0

Range Table

Note : We offer National / International Scales like kPa, MPa, bar, psi, kg/cm² & Dual Scale like kPa with psi, kPa with bar, bar with psi or Equivalent scales as per the requirement can be provided on request. Following are the example tables for kg/cm² & psi scales

Pressure range

Single scale (kg/cm ²)					
0/1	0/4	0/16	0/60	0/250	
0/1.6	0/6	0/25	0/100	0/400	
0/2.5	0/10	0/40	0/160		

Dual scale psi with kg/cm ²					
psi	kg/cm ²	psi	kg/cm ²	psi	kg/cm ²
0/15	1	0/300	20	0/2200	160
0/30	2	0/400	28	0/3000	200
0/60	4	0/500	35	0/4000	280
0/100	7	0/600	42	0/5000	350
0/150	10	0/1000	70	0/6000	400
0/220	16	0/1500	100		

Vacuum & compound range			Freon (with temperature scale)		
Dual scale			Note : For temperature scales, please provide refrigerant name.		
inHg with psi	inHg with psi	inHg with psi	Dual scale (Inch Hg to psi)		
- 30/0	- 30/60	- 30/200	Range	Range	
- 30/15	- 30/100	- 30/300	-30/150	0-300	
- 30/30	- 30/150	- 30/350	-30/300	0-500	
Single scale (kg/cm²)			Accessories (Refer datasheet for complete specifications)		
- 1/0	- 1/1.5	- 1/5	- 1/15	EB Cooling tower	* Needle valve
- 1/0.6	- 1/3	- 1/9	- 1/24	EC Gauge cock	EG Snubber
* Refer catalogue for valves and manifolds ** For Pressure Ranges.			ED Overload protector (gauge saver)**	EH Siphon	

How To Order

					Example
Basic Model					AG
Code					
Nominal Size			F	H	X
			100 mm	150 mm	
Type of Mounting					X
1	Wall / surface / projection	3	Direct lower back entry	5	Lower back entry with front flange
	Mounting with bottom entry	2	Direct bottom entry	9	Lower back entry with mounting bracket
Gauge Connection					
3BM	3/8" BSP (M) Standard	2NM	1/4 " NPT (M)	4TM	1/2" BSPT (M)
4BM	1/2" BSP (M) Standard	4NM	1/2" NPT (M) Standard	4MM	M 20 x 1.5 (M)
Note : Connections like Metric/ PT/ PF/ Flaired/ UNF/ G/ R etc can be provided on request.					
Range					0/10 kg/cm ²
Refer range table					
Optional Extras					
PW	Five point calibration certificate	PY	Dampening liquid glycerine filled	ZC	Freon range (with temperature scale)
RH	Custom designed dial	TB	Helium leak test	SL	Zero adjustable pointer
SG	Oxygen service (for dry version)	FG	Fillable liquid glycerine	FK	Integral dampening screw (brass)
SX	SS tag plate	SK	Micrometer '0' adjustment pointer	SW	Dial tag marking
					XX

Ordering Example: AG . X . X . XXX . 0/10 kg/cm² . XX

For other optional items, please contact factory for delivery & minimum quantity of order.

Note : Specifications and dimensions given in this product catalogue represents the state of engineering at the time of printing .

Modifications may take place and materials specified may be replaced by others without prior notice.